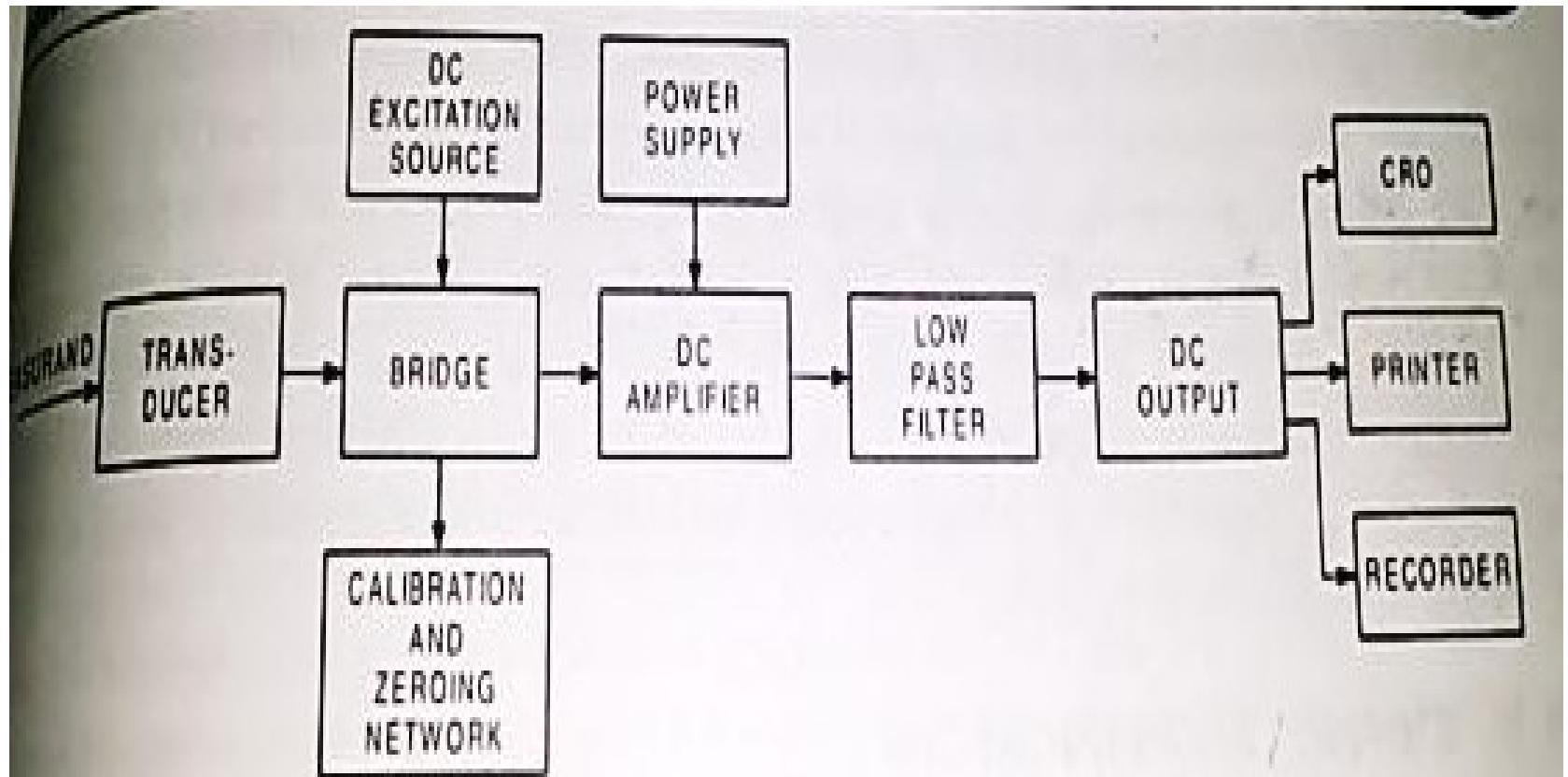


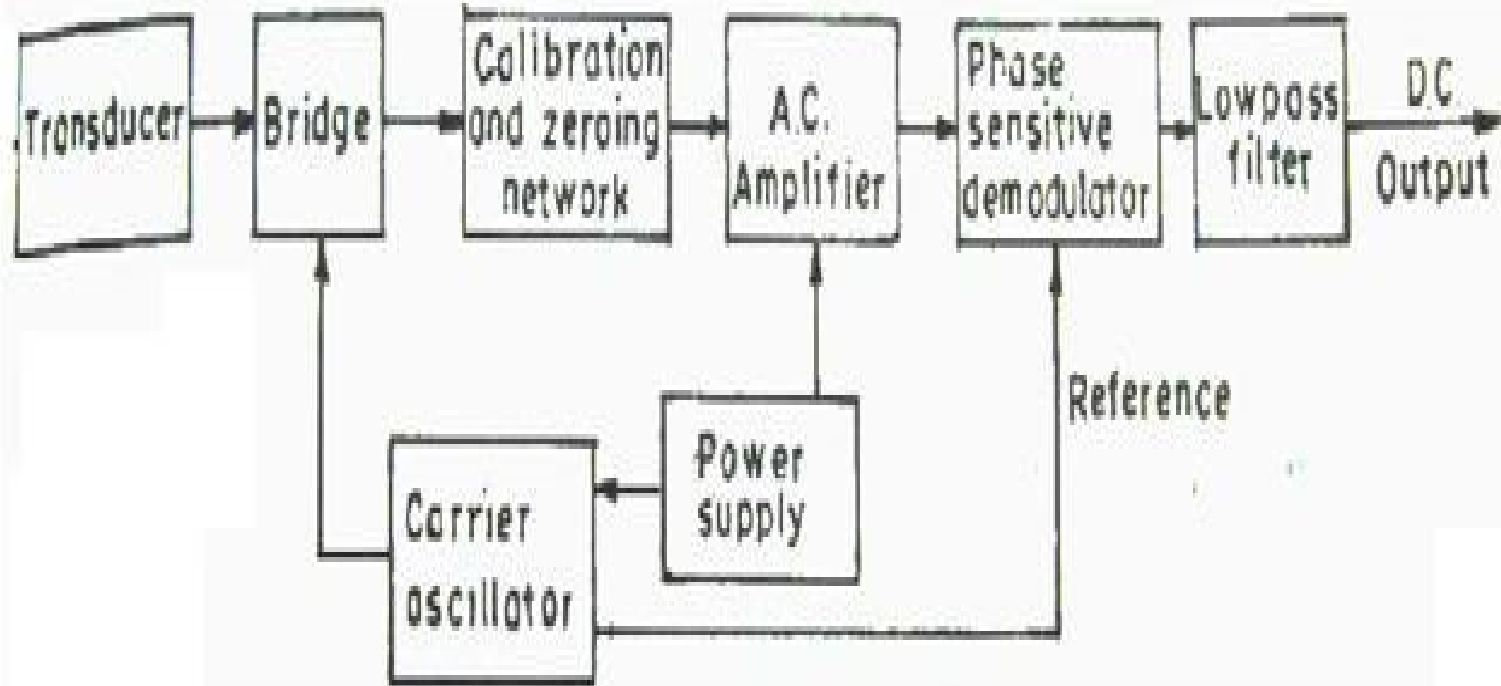
Photoelectric Transducers

- Photo emissive cells or phototubes
- Photoconductive cells
- Photovoltaic cells
- Photojunctions

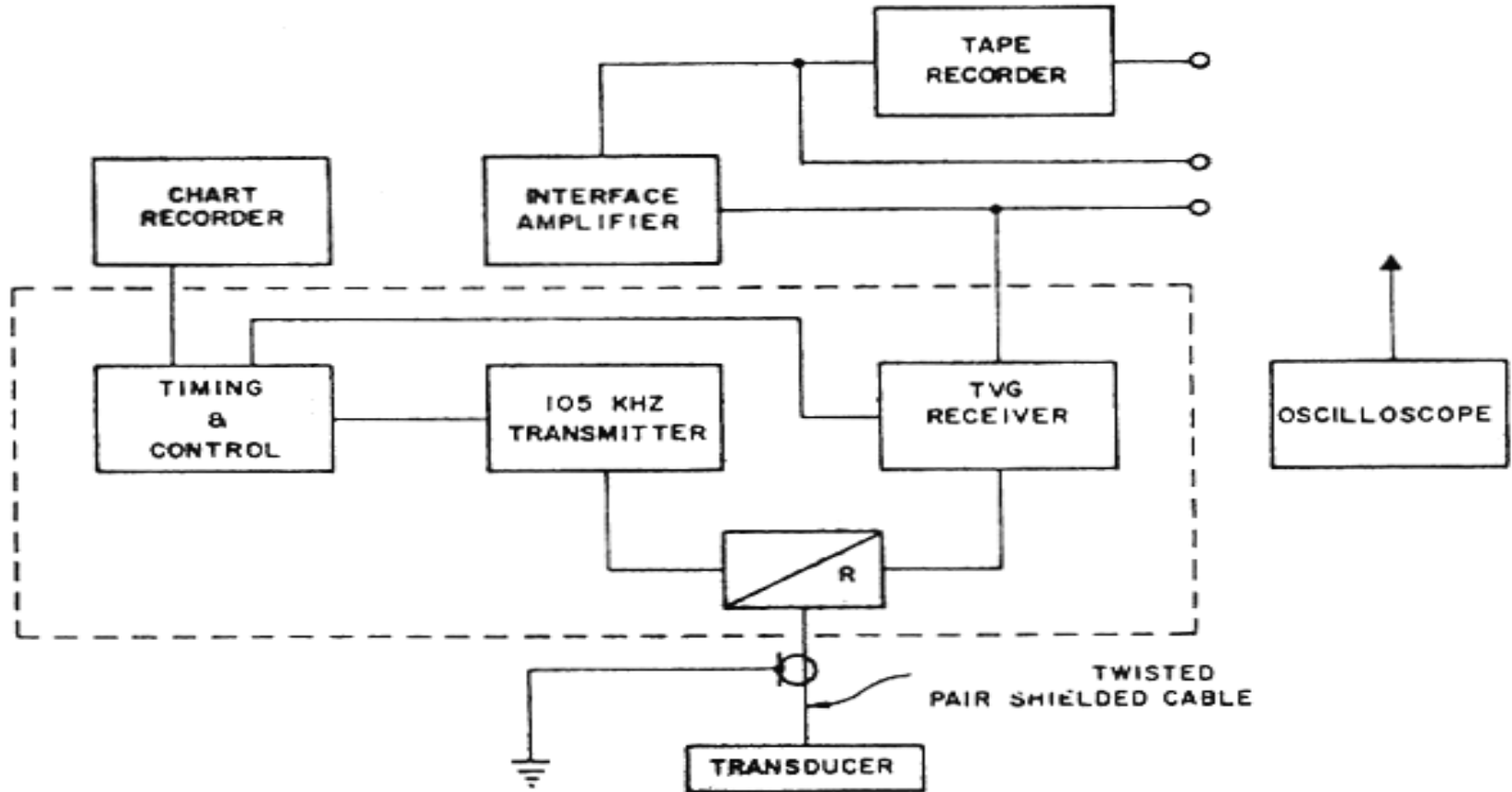
DC Signal Conditioning



AC Signal Conditioning Unit



Data Acquisition Unit



VIRTUAL LAB LINK

- <http://coep.vlab.co.in/?sub=33&brch=91&sim=449&cnt=602>
-