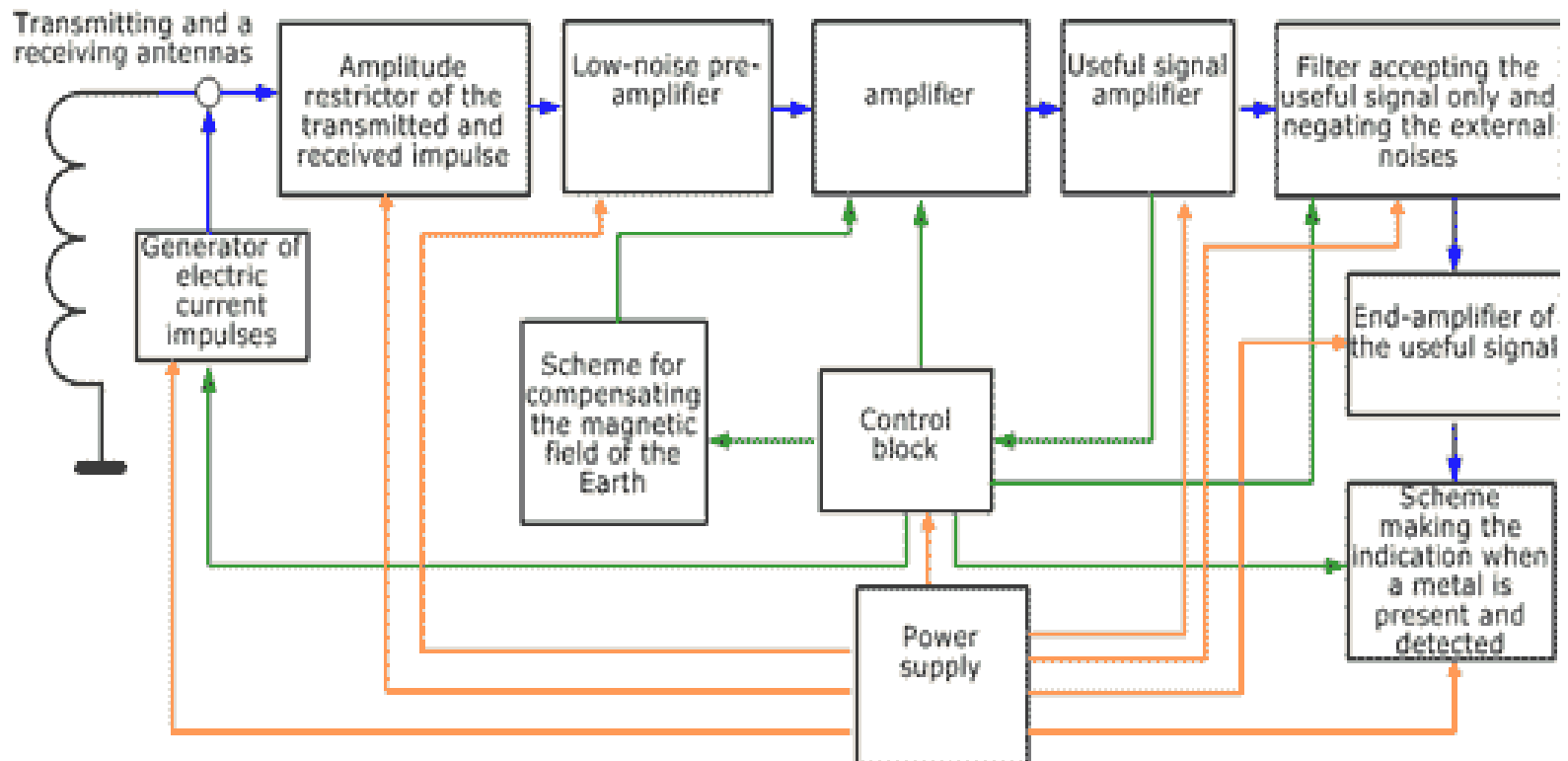


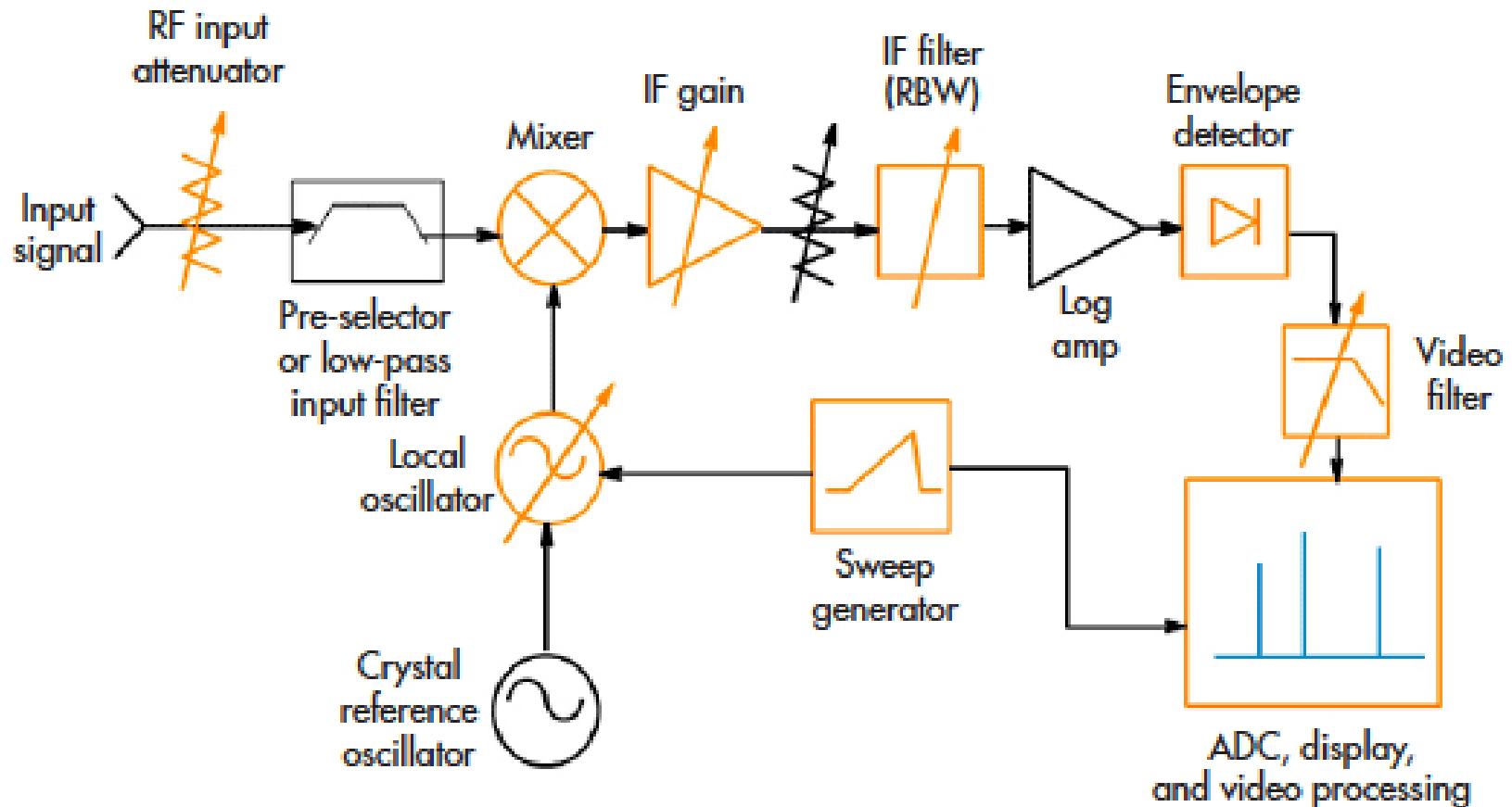
# **SECTION-C**

Generation & Analysis of waveforms  
Frequency and Time Measurement

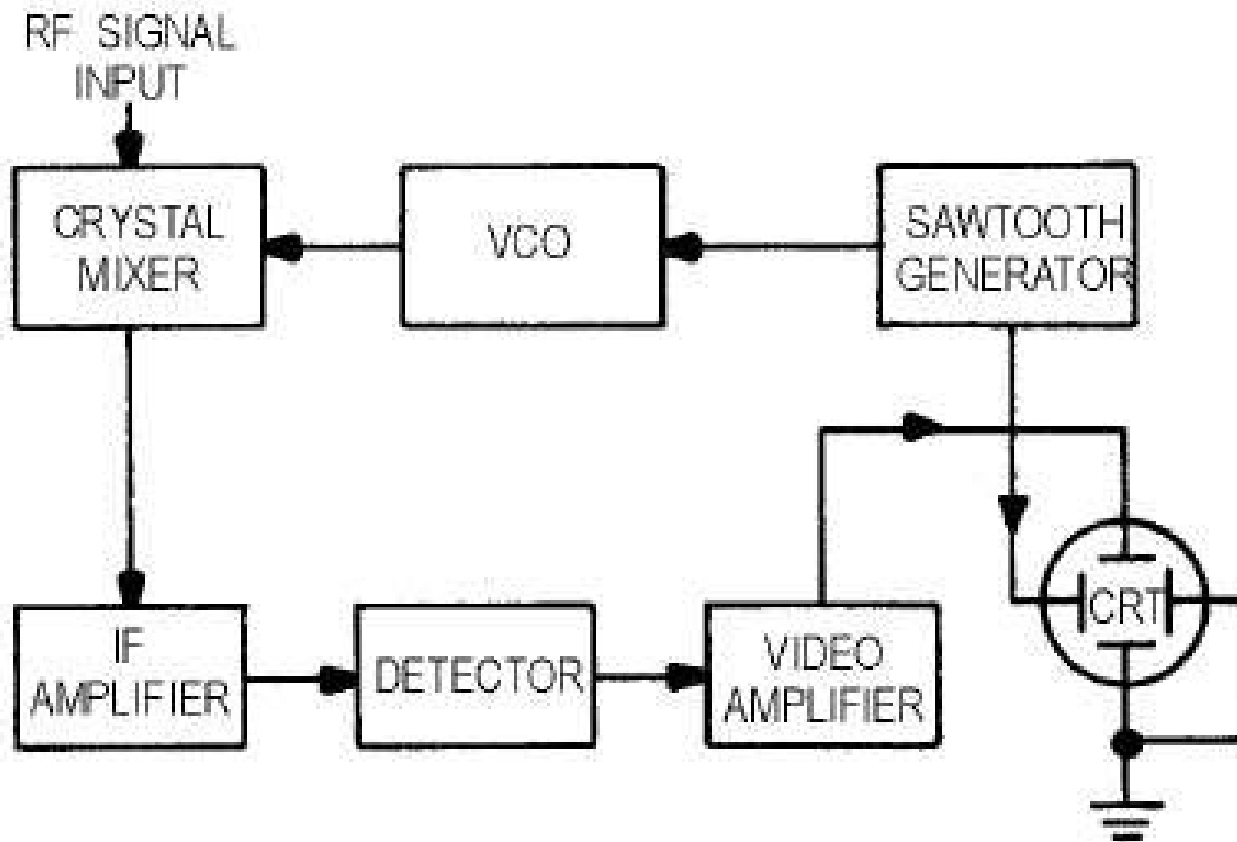
# Pulse Generator



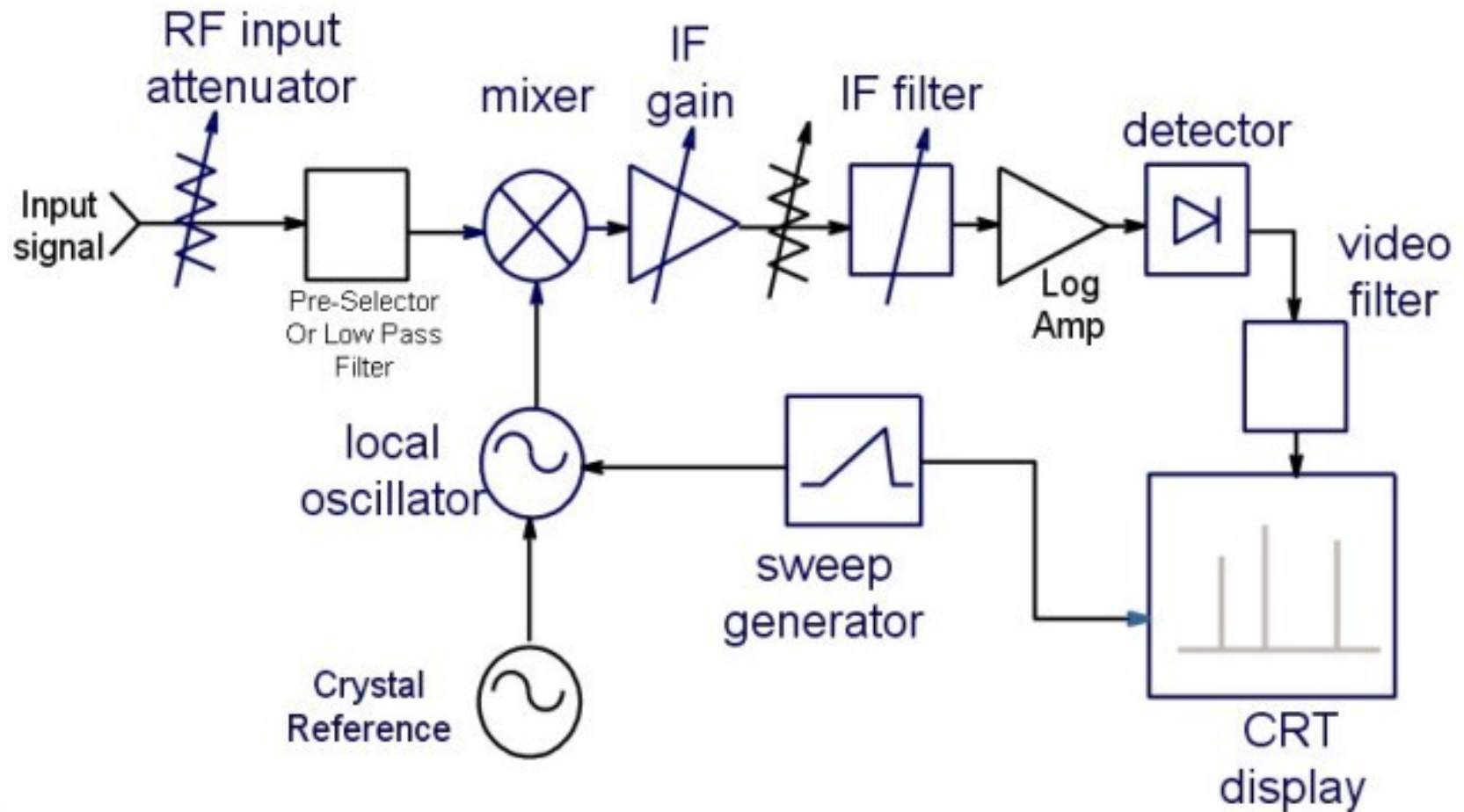
# Harmonic Distortion Analyzer



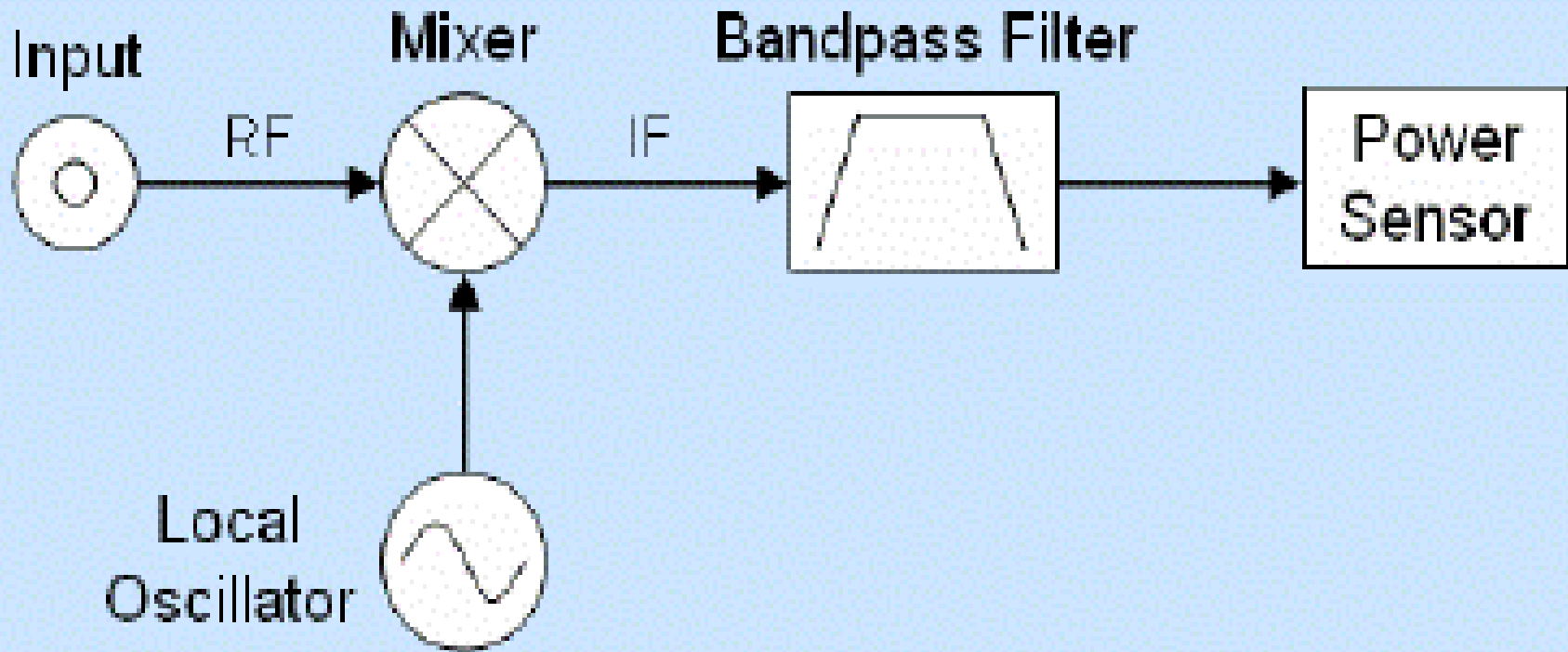
# Spectrum Analyzer



# Superheterodyne RF Spectrum analyzer



# Real time spectrum analyzer



# Application spectrum analyzer

- ▶ Amplitude modulation
  - ▶ Frequency modulation
  - ▶ Measurement of harmonic distortion
  - ▶ Pulse modulation
  - ▶ Noise measurement
  - ▶ Continuous wave signal frequency stability
- 