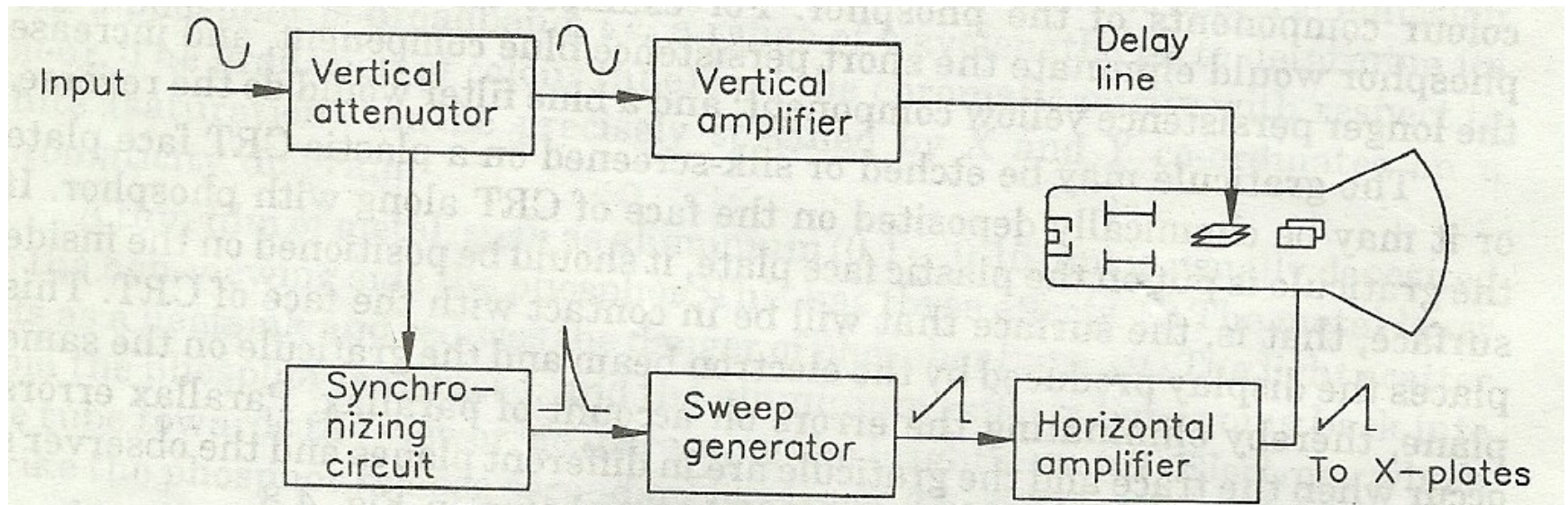


Real time oscilloscope

- ▶ Real time oscilloscopes can be
 - Single input or display oscilloscope
 - Multiple input or display oscilloscope

Single display oscilloscope



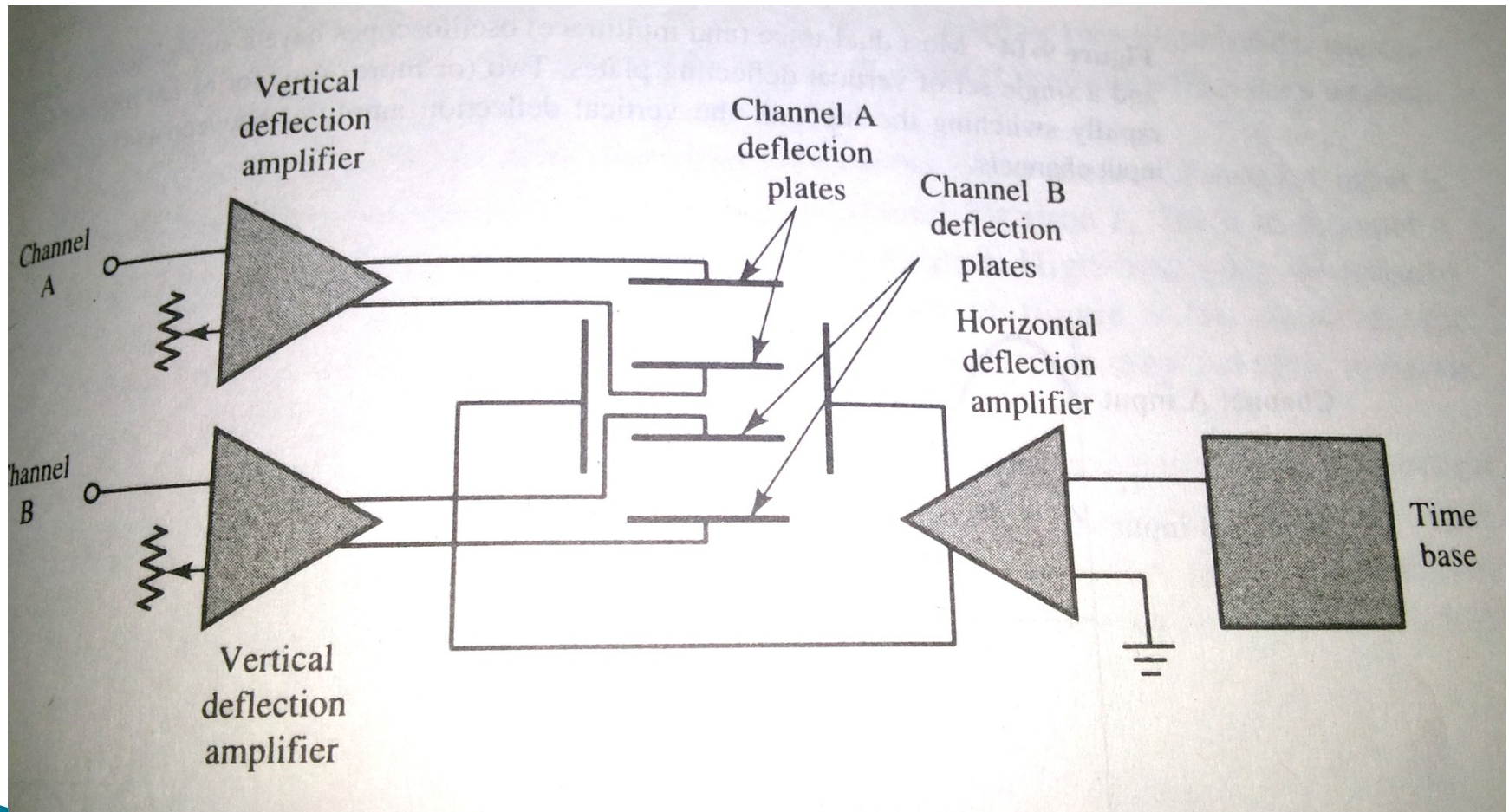
assignment

Q. Draw the block diagram for single input oscilloscope.

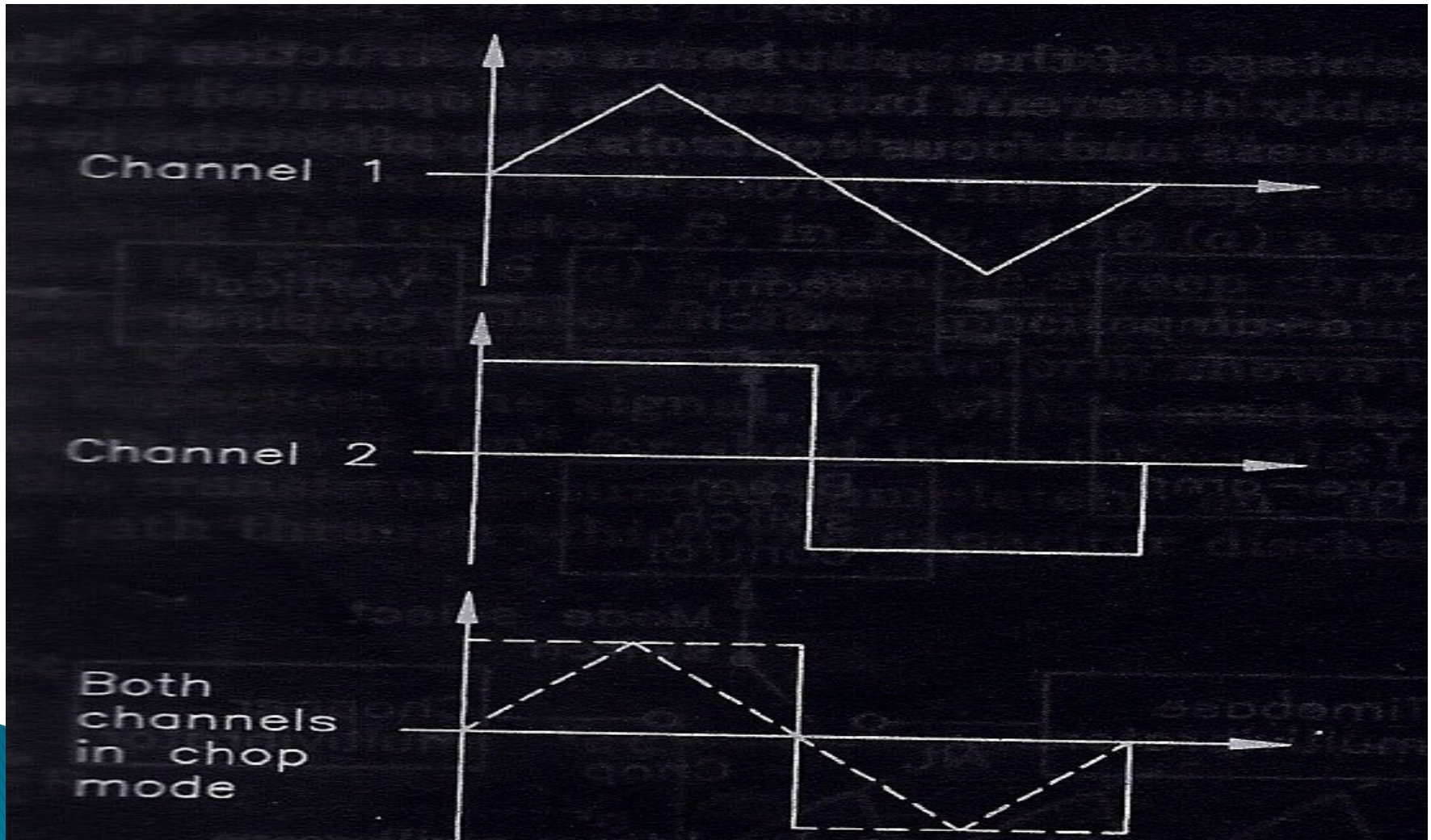
Multiple display oscilloscope

- ▶ Dual trace oscilloscope
- ▶ Dual beam oscilloscope

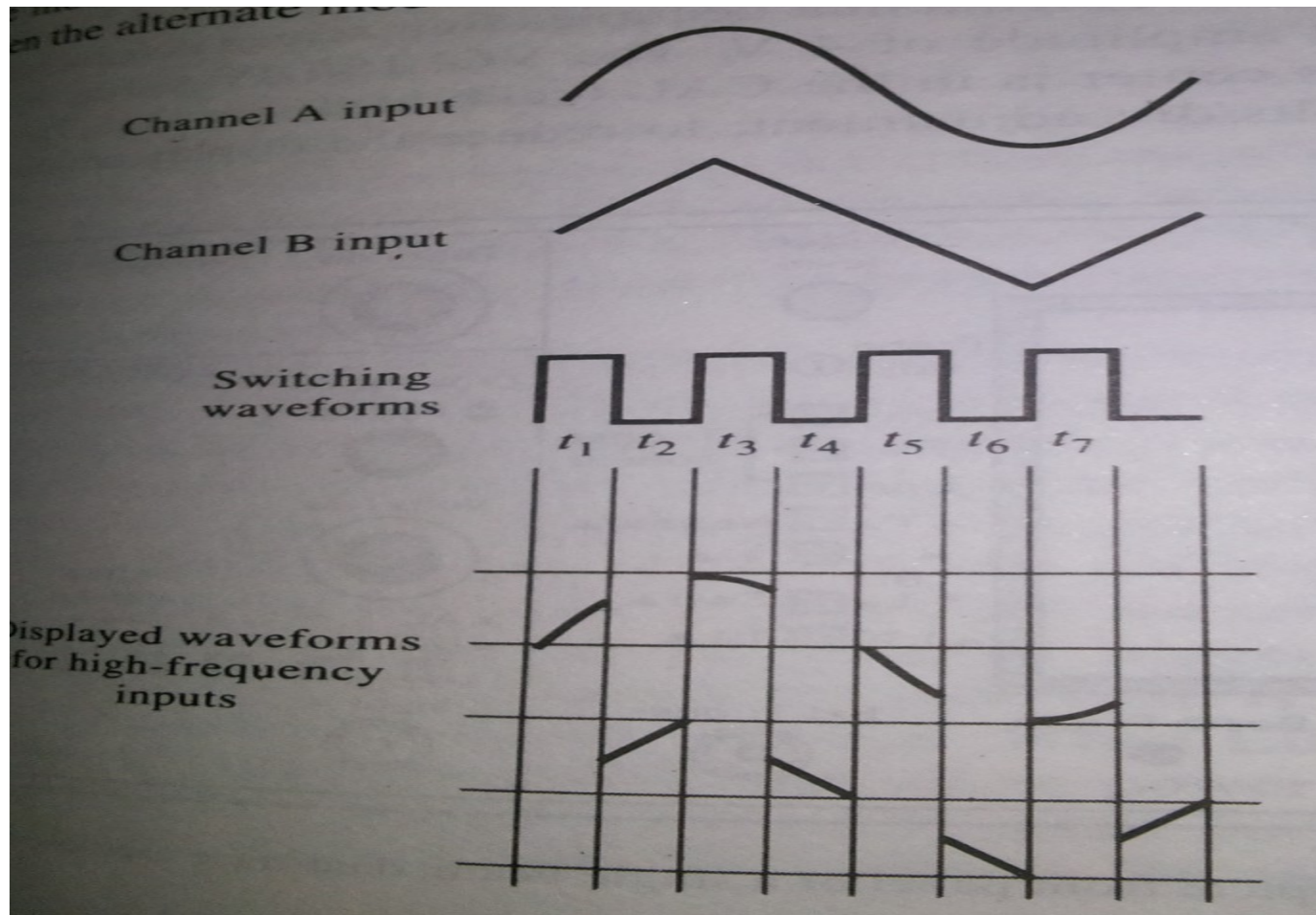
Dual Traces Oscilloscope



Chop Mode



Chop mode



Dual beam oscilloscope

Two methods are used for generating the two electron beams within CRT–

1) Uses a double gun tube.

2) Split beam method.

Dual beam oscilloscope

