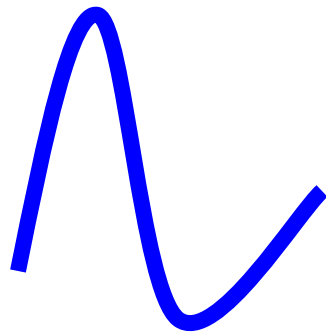


# Analog to Digital Converters

*Representing a continuously varying physical quantity by a sequence of discrete numerical values.*



**03 07 10 14 09 02 00 04**

# Conversion Methods

Ladder Comparison or Ramp

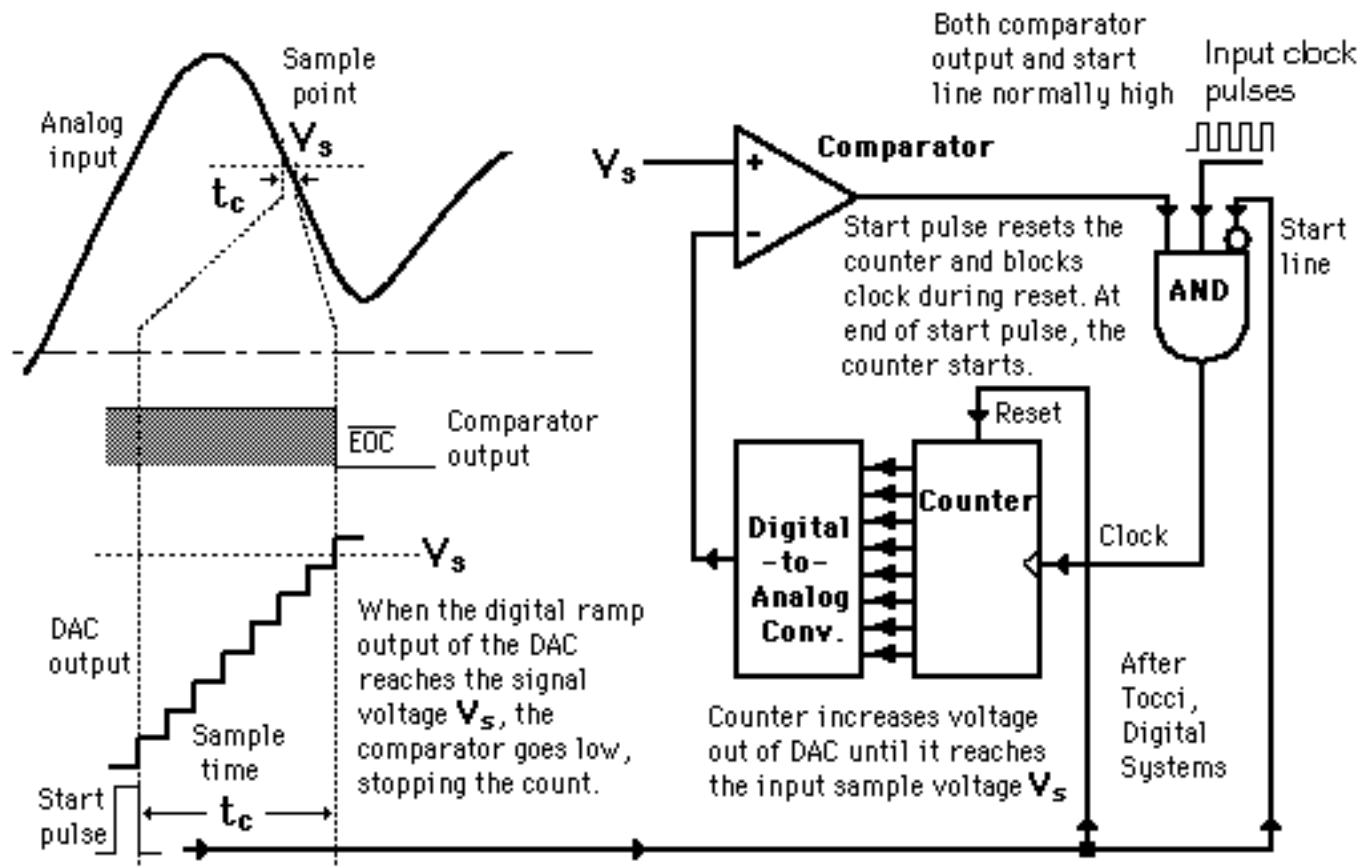
Successive Approximation

Flash or parallel Comparison

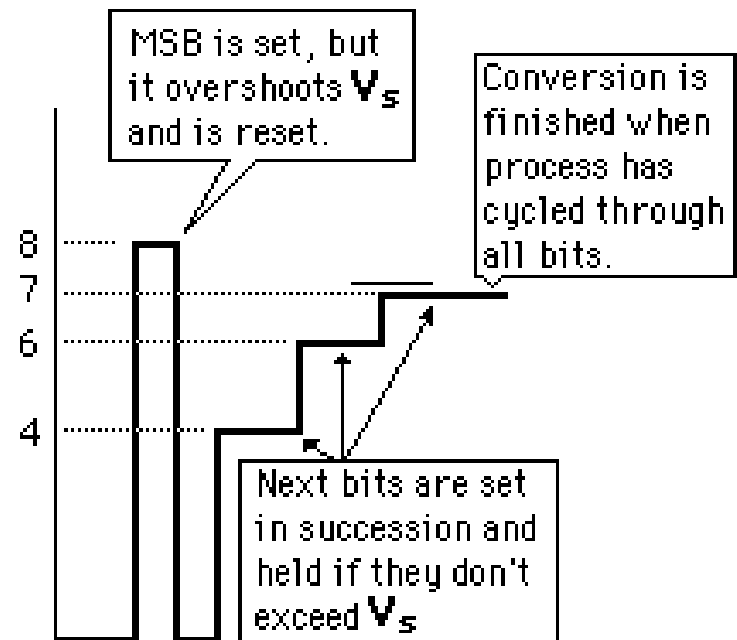
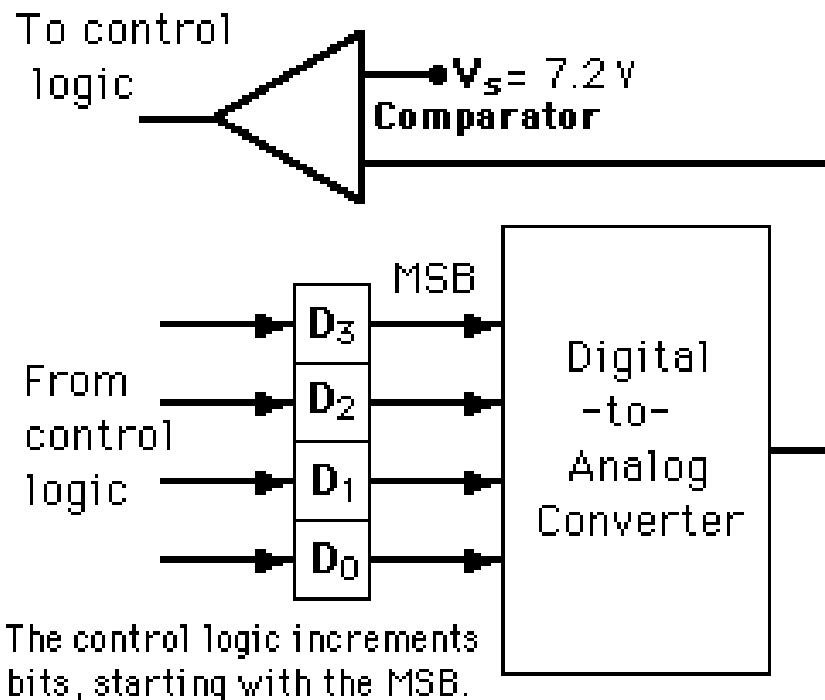
Voltage to frequency

Dual Slope

# Ladder Comparison



# Successive Approximation



# Flash Comparison

If N is the number of bits in the output word....

Then  $2^N$  comparators will be required.

***With modern microelectronics this is quite possible, but will be expensive.***

