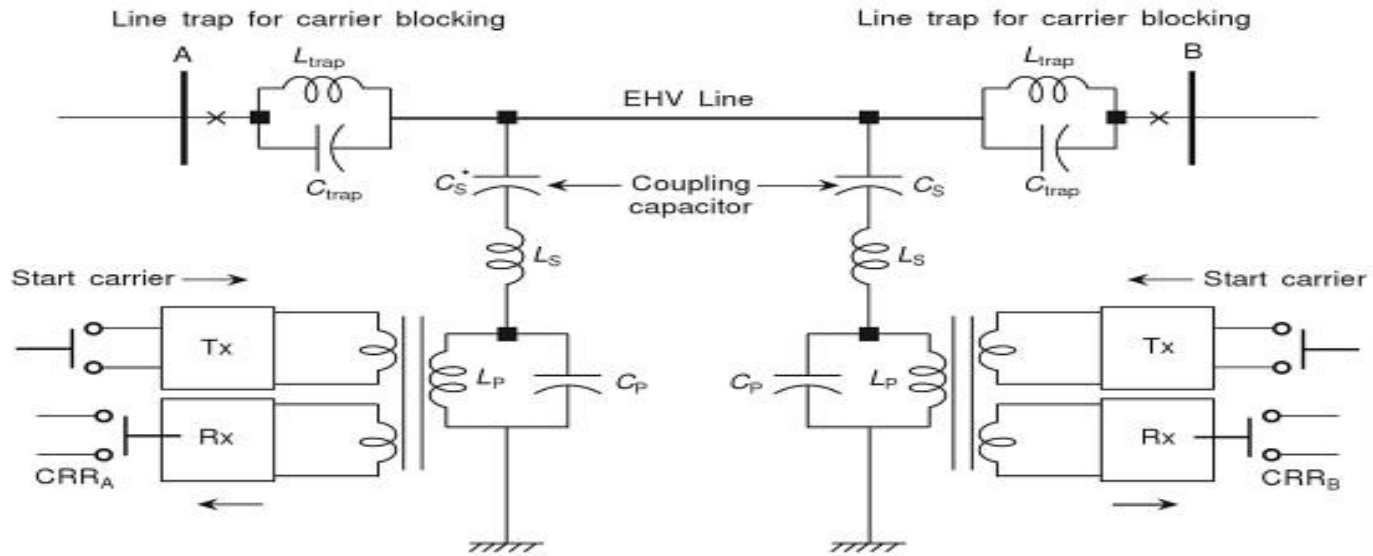


Lecture-22

carrier current
Protection,

Carrier current protection



L_S, C_S : Series ckt. tuned to carrier frequency
 $(L_P, C_P), (L_{trap}, C_{trap})$: Parallel ckt. tuned to carrier frequency
 Tx: Carrier transmitter
 Rx: Carrier receiver

Coupling a carrier and trapping it into the desired line section (single line-to-ground coupling).

- Distance protection operates at high speed for only 60% of line
- Simultaneous opening of CB's at both ends is not possible in distance protection.
- Hence carrier current protection is used for high speed operation and simultaneous opening of both CB's

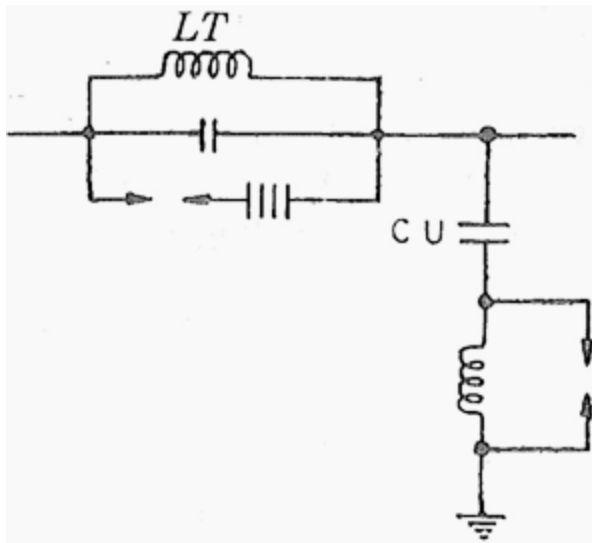


Fig: Protection circuit from high voltages