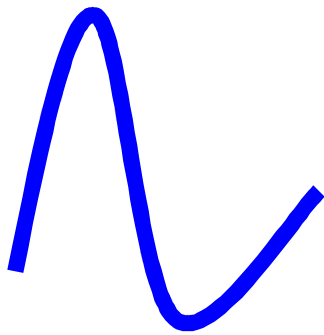


Analog to Digital Converters

Representing a continuously varying physical quantity by a sequence of discrete numerical values.



03 07 10 14 09 02 00 04

Conversion Methods

Ladder Comparison or Ramp

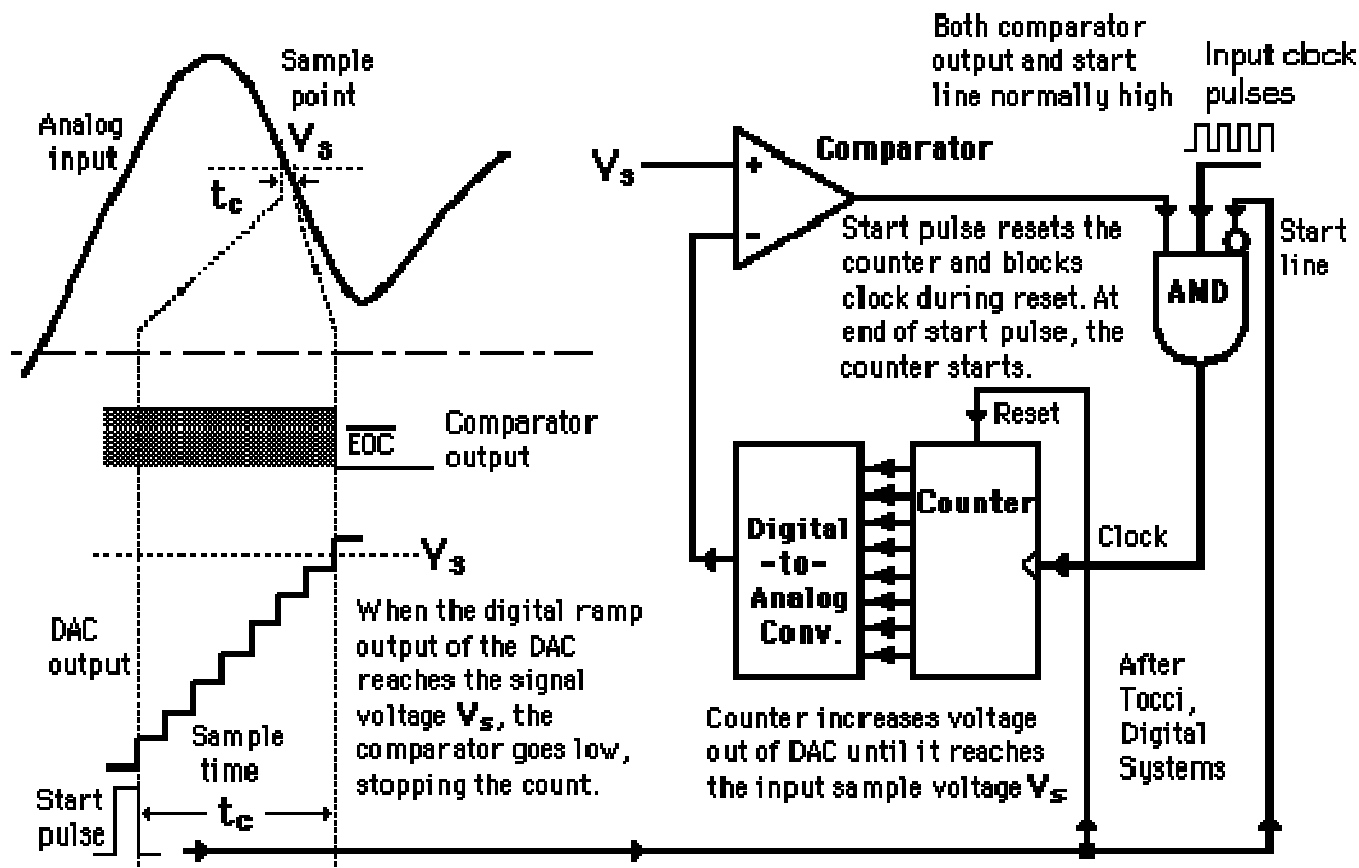
Successive Approximation

Flash or parallel Comparison

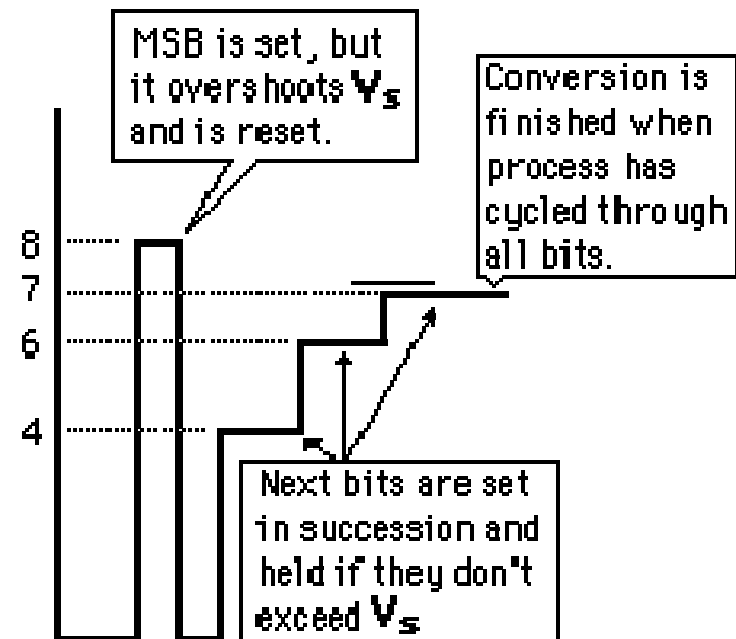
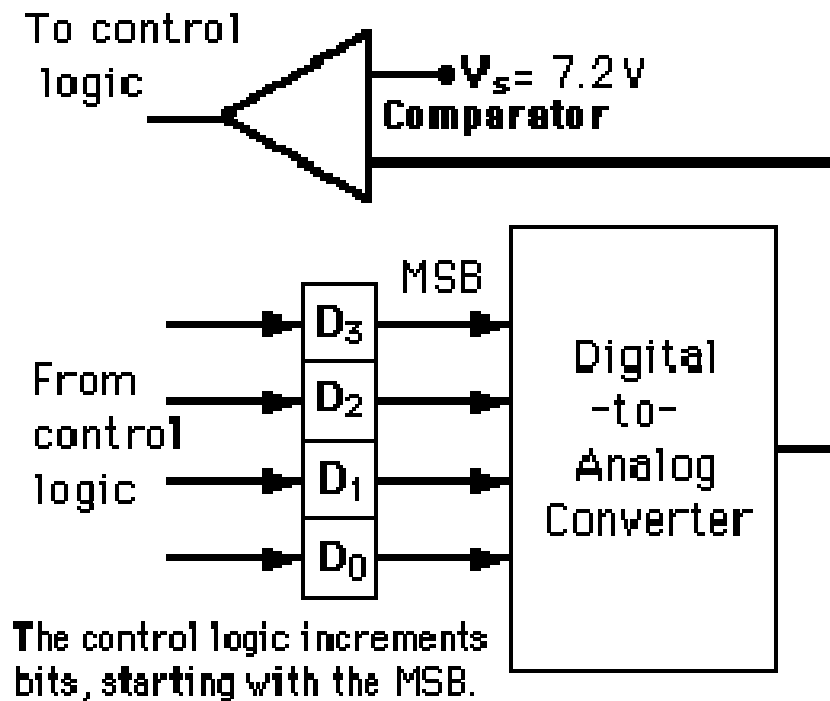
Voltage to frequency

Dual Slope

Ladder Comparison



Successive Approximation



Flash Comparison

If N is the number of bits in the output word....

Then 2^N comparators will be required.

With modern microelectronics this is quite possible, but will be expensive.

