

Microprocessor & Interfacing
Lecture 30
8254
Programmable Interval Timer



ECS DEPARTMENT
DRONACHARYA COLLEGE OF ENGINEERING

Contents



- Introduction
- 8254 PIT
- Functional description
- Pin description
- Programming
- Control word
- Modes of operation

Introduction

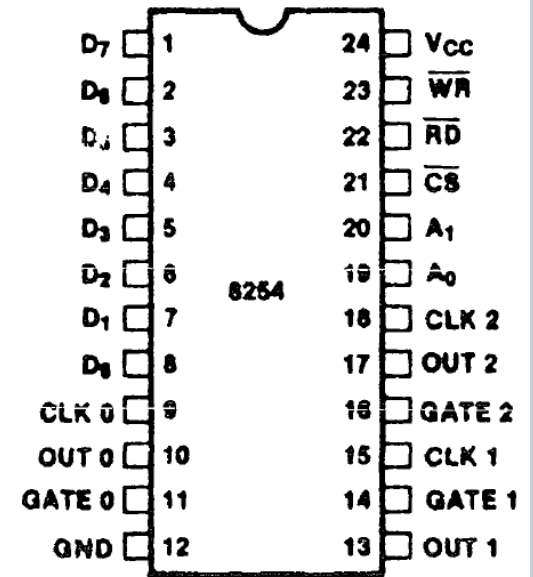
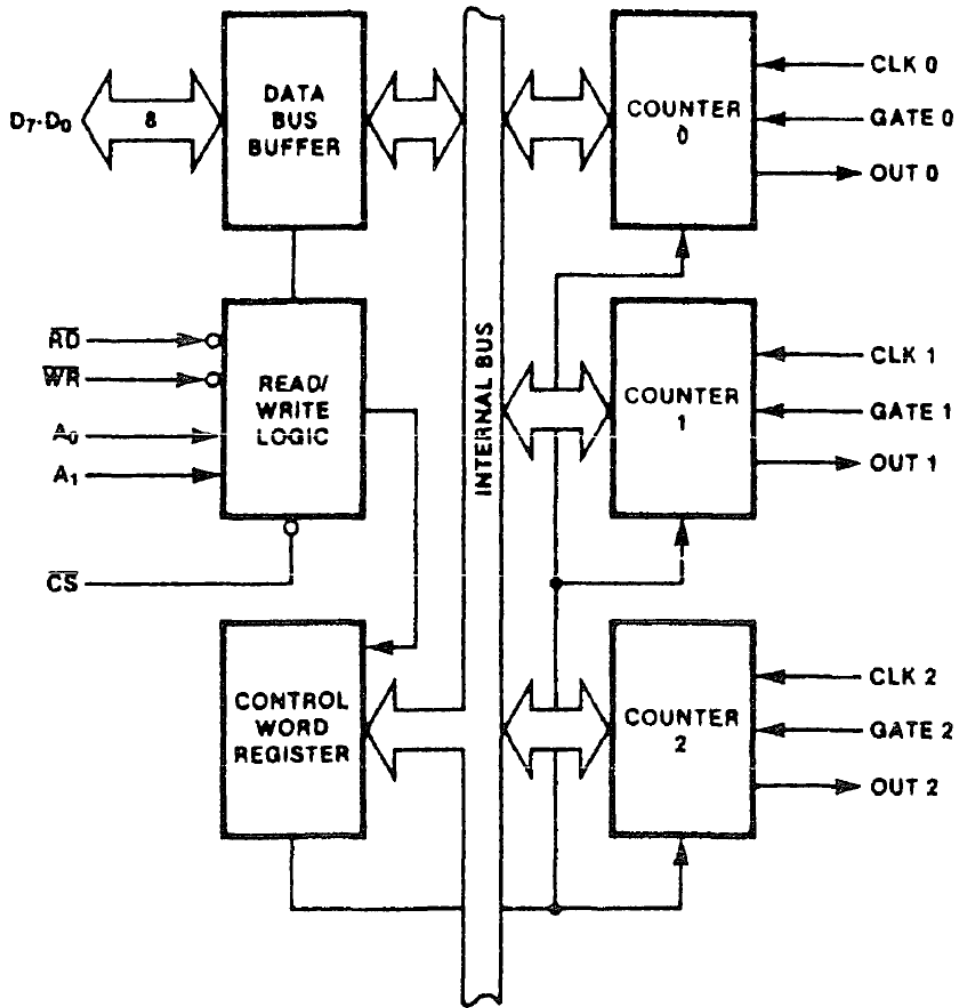


- 8254 is a programmable interval timer.
- Widely used in clock driven digital circuits.
- With out timer there will not be proper synchronization between two devices. So it is very useful chip.

8254 PIT



- The 8254 consists of three independent 16-bit programmable counters (**timers**).
- Each counter is capable of counting in binary or binary coded decimal (BCD).
 - Maximum allowable input frequency to any counter is 10 MHz
- Useful where the microprocessor must control real-time events.
- Usage includes real-time clocks, event counters, and motor speed/direction control.
- Timer appears in the PC decoded at ports 40H–43H to do the following:
 1. Generate a basic timer interrupt that occurs at approximately 18.2 Hz
 2. Cause the DRAM memory system to be refreshed
 3. Provide a timing source to the internal speaker and other devices.



8254 Functional Description



- Figure shows the pin-out of the 8254, a higher-speed version of the 8253, and a diagram of one of the three counters.
- Each timer contains:
 - a CLK input which provides the basic operating frequency to the timer
 - a gate input pin which controls the timer in some modes
 - an output (OUT) connection to obtain the output of the timer
- The signals that connect to the processor are the data bus pins (D7–D0), RD, WR, CS, and address inputs A1 and A0.
- Address inputs are present to select any of the four internal registers.
- Used for programming, reading, or writing to a counter
- Timer zero generates an 18.2 Hz signal that interrupts the microprocessor at interrupt vector 8 for a clock tick.
 - often used to time programs and events in DOS
- Timer 1 is programmed for 15 μ s, used on the PC to request a DMA action used to refresh the dynamic RAM.
- Timer 2 is programmed to generate a tone on the PC speaker.

Pin Description



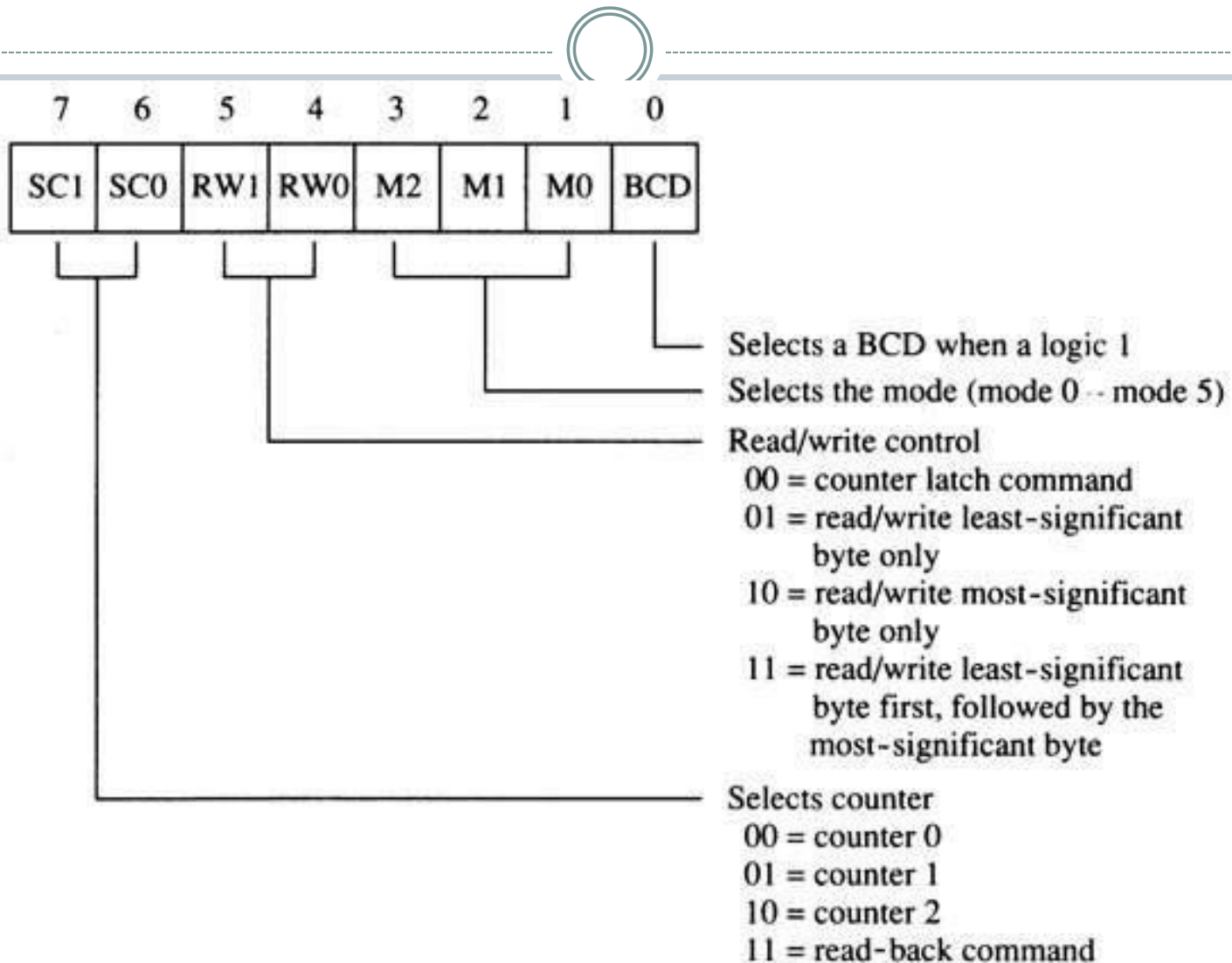
- A0, A1: The address inputs select one of four internal registers within the 8254.
- CLK: The clock input is the timing source for each of the internal counters. This input is often connected to the PCLK signal from the microprocessor system bus controller.
- CS': Chip select enables 8254 for programming and reading or writing a counter.
- GATE: The gate input controls the operation of the counter in some modes of operation
- GND: Ground connects to the system ground bus.
- OUT: A counter output is where the waveform generated by the timer is available.
- RD': Read causes data to be read from the 8254 and often connects to the IORC signal.
- Vcc: Power connects to the +5.0 V power supply.
- WR': Write causes data to be written to the 8254 and often connects to write strobe IOWC.

Programming the 8254



- Each counter is programmed by writing a control word, followed by the initial count.
- The control word allows the programmer to select the counter, mode of operation, and type of operation (read/write).
 - also selects either a binary or BCD count

Control Word for 8254- 2 Timer



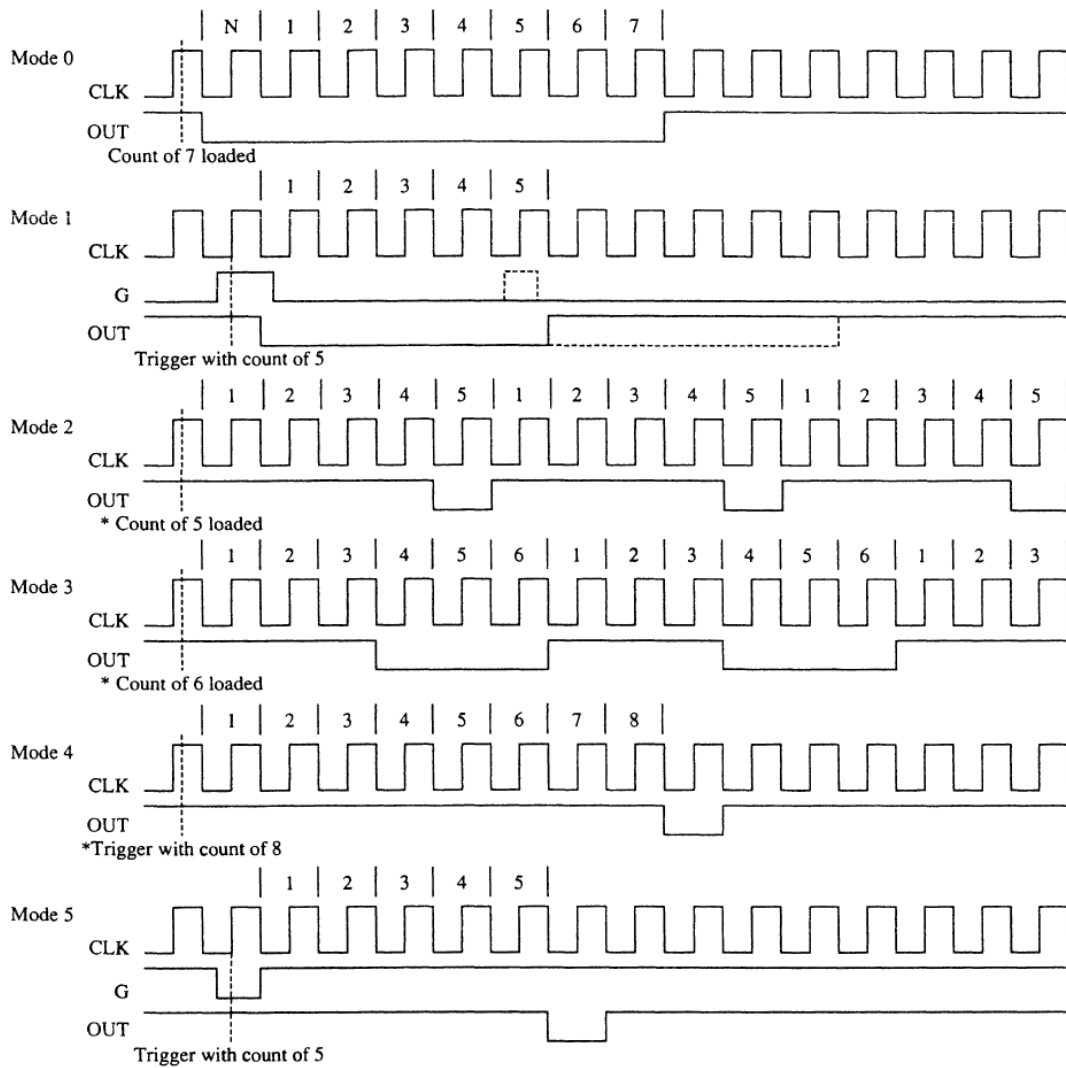


- Each counter may be programmed with a count of 1 to FFFFH; A count of 0 is equal to FFFFH+1 (65,536) or 10,000 in BCD.
- Timer 0 is used in the PC with a divide-by count of 64K (FFFFH) to generate the 18.2 Hz (18.196 Hz) interrupt clock tick.
 - timer 0 has a clock input frequency of 4.77 MHz + 4 or 1.1925 MHz
- The order of programming is important for each counter, but programming of different counters may be interleaved for better control.

Modes of Operation



- six modes (0–5) of available to each of the 8254 counters
 - each mode functions with the CLK input, the gate (G) control signal, and OUT signal
- Figure shows the six modes of operation for the 8254-2 PIT. The G input stops the count when 0 in modes 2, 3, and 4.



Mode 0 Interrupt on Timer Count



- Allows 8254 to be used as an events counter.
- Output becomes logic 0 when the control word is written and remains until N plus the number of programmed counts.
- Note that gate (G) input must be logic 1 to allow the counter to count.
- If G becomes logic 0 in the middle of the count, the counter will stop until G again becomes logic 1.

Mode 1 Programmable One Shot



- Causes function as a retriggerable, monostable multivibrator (one-shot).
- G input triggers the counter so it develops a pulse at the OUT connection that becomes logic 0 for the duration of the count.
 - if the count is 10, the OUT connection goes low for 10 clocking periods when triggered
- If G input occurs within the output pulse, the counter is reloaded and the OUT connection continues for the total length of the count.

Mode 2 Rate Generator



- Allows the counter to generate a series of continuous pulses one clock pulse wide.
 - pulse separation is determined by the count
- For a count of 10, output is logic 1 for nine clock periods and low for one clock period.
- The cycle is repeated until the counter is programmed with a new count or until the G pin is placed at logic 0.
 - G input must be logic 1 for this mode to generate a continuous series of pulses

Mode 3 Square Wave Generator



- Generates a continuous square wave at the OUT connection, provided the G pin is logic 1.
- If the count is even, output is high for one half of the count and low for one half of the count.
- If the count is odd, output is high for one clocking period longer than it is low.
 - if the counter is programmed for a count of 5, the output is high for three clocks and low for two clocks

Mode 4 S/W Trigger Strobe



- Allows a single pulse at the output.
- If count is programmed as 10, output is high for 10 clocking periods and low for one period.
 - the cycle does not begin until the counter is loaded with its complete count
- Operates as a software triggered one-shot.
- As with modes 2 and 3, this mode also uses the G input to enable the counter.
 - G input must be logic 1 for the counter to operate for these three modes

Mode 5 H/W Trigger Strobe



- A hardware triggered one-shot that functions as mode 4. except it is started by a trigger pulse on the G pin instead of by software
- This mode is also similar to mode 1 because it is retriggerable.

Scope



- Scope of research in this field are design of new timer chip which has more feature then existing timer chip and which are capable to interface with less hardware and software supports.